

QUESTION 1

In a distributed call processing network with locations-based CAC, calls are routed to and from intercluster trunks. Which trunk type is implemented in this network?

- A. intercluster trunk with gatekeeper control
- B. intercluster trunk without gatekeeper control
- C. SIP trunk
- D. h225 trunk

Correct Answer: B

QUESTION 2

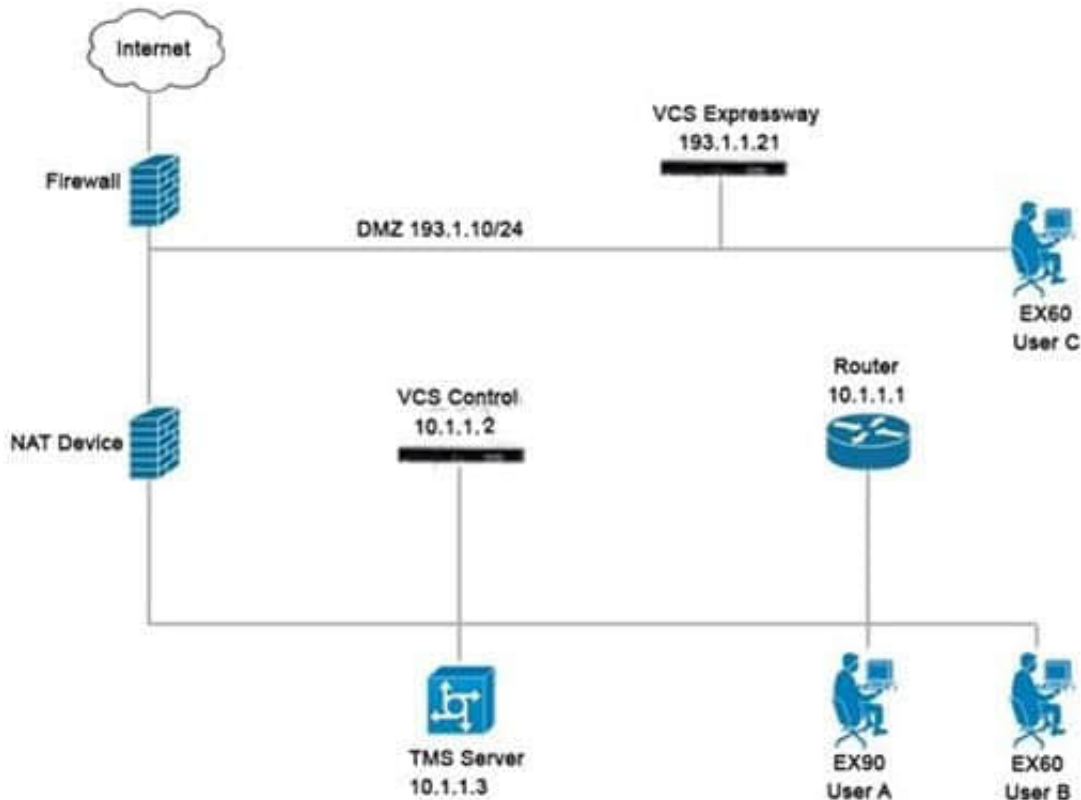
Assume that local route groups are configured. When an IP phone moves from one device mobility group to another, which two configuration components are not changed? (Choose two.)

- A. IP subnet
- B. user settings
- C. SRST reference
- D. region
- E. phone button settings

Correct Answer: BE

QUESTION 3

Refer to the exhibit.



Which three statements about when user A calls user using SIP are true? (Choose three.)

- A. SIP TCP/TLS ports must be opened from internal to DMZ and vice versa.
- B. Deploying a Cisco VCS Expressway behind a NAT mandates the use of the Advanced Networking option key.
- C. Cisco VCS Control and Cisco VCS Expressway support static NAT.
- D. Deploying a Cisco VCS Control inside a NAT mandates the use of the Advanced Networking option key.
- E. RT and RTCP ports must be opened at the firewall from internal to DMZ and vice versa
- F. The NAT device must translate from 10.X.X X to 193.1.1.X and vice versa.

Correct Answer: BCD

QUESTION 4

Scenario:

There are two call control systems in this item.

The Cisco UCM is controlling the DX650, the Cisco Jabber for Windows Client, and the 9971 Video IP Phone.

The Cisco VCS is controlling the SX20, the Cisco TelePresence MCU, and the Cisco Jabber TelePresence for Windows.

SX20 System information:

System Information

General

Product: Cisco TelePresence SX20
 Last boot: Last Wednesday at 21:43
 Serial number: ABCD12345678
 Software version: TC7.3.0
 Installed options: PremiumResolution
 System name: MySystem
 IPv4: 192.168.1.128
 IPv6: 2001:DB8:1001:2002:3003:4004:5005:F00F
 MAC address: 01:23:45:67:89:AB
 Temperature: 58.5°C / 137.3°F

H323

Status: Registered
 Gatekeeper: 192.168.1.1
 Number: 123456
 ID: firstname.lastname@company.com

SIP Proxy 1

Status: Registered
 Proxy: 192.168.1.2
 URI: firstname.lastname@company.com

DX650 Configuration:

Modify Button Items		Product Type: Cisco DX650
1	vns Line [1] - 3304 in Devices	Device Protocol: SIP
2	vns Line [2] - Add a new DN	
3	Redial	
4	sx20-3@osl226.local	
5	Add a new SD	
6	Add a new SD	
7	Add a new SD	
8	Add a new SD	
9	Add a new SD	
10	Add a new SD	
11	Add a new SD	
12	Add a new SD	
13	Add a new SD	
14	Add a new SD	
15	Add a new SD	
----- Unassigned Associated Items -----		
16	Add a new SD	

Real-time Device Status	
Registration:	Unregistered
IPv4 Address:	172.18.32.119
Active Load ID:	sipdx650.10-2-3-26
Inactive Load ID:	sipdx650.10-1-1-78
Download Status:	None

Device Information	
<input checked="" type="checkbox"/> Device is Active	
<input checked="" type="checkbox"/> Device is trusted	
MAC Address*	D0C78914131D
Description	DX650 Pod 3
Device Pool*	Default
Common Device Configuration	< None >
Phone Button Template*	Cisco DX650 SIP
Softkey Template	< None >
Common Phone Profile*	Standard Common Phone Profile
Calling Search Space	All-Devices
AAR Calling Search Space	< None >

MRGL:

Status
i 1 records found

Media Resource Group List (1 - 1 of 1)

Find Media Resource Group List where Name begins with

<input type="checkbox"/>	Name ^
<input type="checkbox"/>	MEGL-All

DP:

Status
i 3 records found

Device Pool (1 - 3 of 3)

Find Device Pool where Device Pool Name begins with

<input type="checkbox"/>	Name ^	Class Unified CH Group	Region	Date/T
<input type="checkbox"/>	Default1	Default	Default	CMLocal
<input type="checkbox"/>	Default	Default	Default	CMLocal
<input type="checkbox"/>	GSM	Default	GSM	CMLocal

Locations:

Locations (1 - 3 of 3)

Find Locations where Location begins with

<input type="checkbox"/>	
<input type="checkbox"/>	Hub_None
<input type="checkbox"/>	Phantom
<input type="checkbox"/>	Shadow

AARG:

Automated Alternate Routing Group

Find Automated Alternate Routing Group where Name begins with

No active query. Please enter your search criteria using the options above.

CSS:

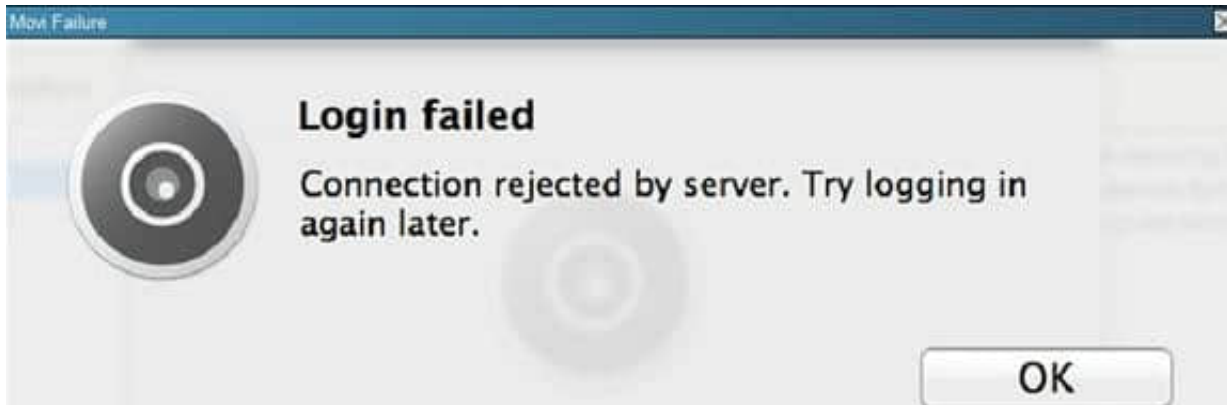
Calling Search Space (1 - 2 of 2)

Find Calling Search Space where CSS Name begins with Find Clear Filter + -

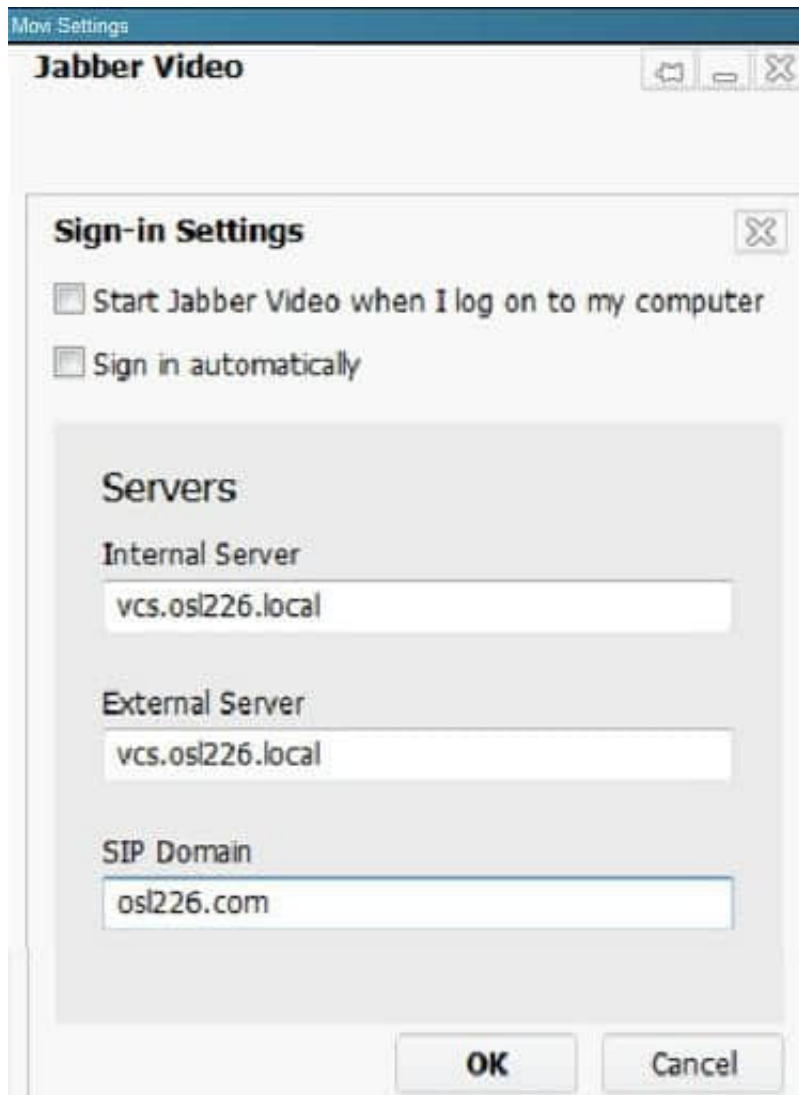
<input type="checkbox"/>	CSS Name ^
<input type="checkbox"/>	All-Devices
<input type="checkbox"/>	All-Devices

Add New Select All Clear All Delete Selected

Movie Failure:



Movie Settings:



A new DX650 IP phone with MAC address D0C7.8914.132D, IP address is 172.18.32.119 has been added to the Cisco Unified Communications Manager, but is not registering properly. What is causing this failure?

- A. Device Pool cannot be default.
- B. The DX650 is the incorrect calling search space.
- C. The DX650 Phones does not support SIP.
- D. The location Hub_None has not been activated.
- E. The DX650\'s MAC address is incorrect in the Cisco UCM.

Correct Answer: D

QUESTION 5

Which two options should be used to create a secure traversal zone between the Expressway-C and Expressway-E?
(Choose two.)

- A. Expressway-C and Expressway-E must trust each other\'s server certificate.

- B. One Cisco Unified Communications traversal zone for H.323 and SIP connections.
- C. A separate pair of traversal zones must be configured if an H.323 connection is required and Interworking is disabled.
- D. Enable username and password authentication verification on Expressway-E.
- E. Create a set of username and password on each of the Expressway-C and Expressway- E to authenticate the neighboring peer.

Correct Answer: AC

QUESTION 6

The network administrator has been investigating bandwidth issues between the central office and remote sites where location-based CAC is implemented. What does the Cisco Unified Communications Manager `LocationOutOfResources` counter indicate?

- A. This counter represents the total number of times that a call on a particular Cisco Unified Communications Manager through the location failed due to lack of bandwidth.
- B. This counter represents the total number of times that a call through locations failed due to the lack of bandwidth.
- C. This counter represents the total number of failed video-stream requests (most likely due to lack of bandwidth) in the location where the person who initiated the video conference resides.
- D. This counter represents the total number of times since the last restart of the Cisco IP Voice Streaming Application that a Cisco Unified Communications Manager connection was lost.

Correct Answer: B

QUESTION 7

Which system configuration is used to set audio codecs?

- A. region
- B. location
- C. physical location
- D. licensing

Correct Answer: A

QUESTION 8

Which three globalization dialing functions are enhanced in Cisco Unified Communications Manager 7.x and later? (Choose three.)

- A. MGRL
- B. HO
- C. CER
- D. AAR

E. SAF

F. click-to-call

Correct Answer: BCD

QUESTION 9

Which two commands verify Cisco IP Phone registration? (Choose two.)

A. show telephony-service ephone-dn

B. show voice register session-server

C. show ephone registered

D. show ccm-manager hosts

E. show sip-ua status registrar

Correct Answer: BC

QUESTION 10

When configuring Cisco Unified Mobility, which parameter defines the access control for a call that reaches out to a remote destination?

A. Calling Party Transformation Calling Search Space under Remote Destination Profile Information

B. User Local under Remote Destination Profile Information

C. Rerouting Calling Search Space under Remote Destination Profile Information

D. Rerouting Calling Search Space under Remote Destination information

E. Calling Search Space under Phone Configuration

Correct Answer: C

QUESTION 11

Which two options enable routers to provide basic call handling support for Cisco Unified IP Phones if they lose connection to all Cisco Unified Communications Manager systems? (Choose two.)

A. SCCP fallback

B. Cisco Unified Survivable Remote Site Telephony

C. Cisco Unified Communications Manager Express

D. MGCP fallback

E. Cisco Unified Communications Manager Express in SRST mode

Correct Answer: BE

QUESTION 12

Which statement about the function of the "+" symbol in the E.164 format is true?

- A. The "+" symbol represents the international country code.
- B. The "+" symbol represents the international call prefix.
- C. The "+" symbol matches the preceding element one or more times.
- D. The "+" symbol matches the preceding element zero or one time.

Correct Answer: B

QUESTION 13

When a call is made from a video endpoint to a Cisco TelePresence EX90 that is registered to a Cisco VCS Control, which portion of the destination URI is the first match that is attempted?

- A. the full URI, including the domain portion
- B. the destination alias, without the domain portion
- C. the 164 number that is assigned to the Cisco TelePresence EX90
- D. the directory number that is assigned to the Cisco TelePresence EX90

Correct Answer: B

QUESTION 14

Which three items must you configure to enable SAF Call Control Discovery? (Choose three.)

- A. a calling search space
- B. hosted DN patterns
- C. translation patterns
- D. route patterns
- E. the SIP or H.323 trunk
- F. hosted DN groups

Correct Answer: BEF

QUESTION 15

Which gateway does the Cisco Unified Communications Manager control all call activity?

- A. SIP
- B. MGCP
- C. 323
- D. Media

Correct Answer: B

QUESTION 16

When you use the Query wizard to configure the trace and log central feature to collect install logs, if you have servers in a cluster in a different time zone, which time is used?

- A. TLC adjusts the time change appropriately.
- B. TLC uses its local time for all systems.
- C. TLC queries for the time zone as part of configuration.
- D. TLC produces an error and must be run remotely.

Correct Answer: A

QUESTION 17

An engineer is configuring Global Dial Plan Replication and wants to prevent the local cluster from routing the Vice President number 5555555555 to the remote cluster. Which action accomplishes this task?

- A. Create a block route pattern.
- B. Create a block learned pattern.
- C. Create a block transformation pattern.
- D. Create a block translation pattern.

Correct Answer: C

QUESTION 18

Which three items must you configure to enable SAF Call Control Discovery? (Choose three.)

- A. the SIP or H.323 trunk
- B. hosted DN groups
- C. hosted DN patterns
- D. route patterns
- E. a calling search space
- F. translation patterns

Correct Answer: ABE

QUESTION 19

Scenario There are two call control systems in this item. The Cisco UCM is controlling the DX650, the Cisco Jabber for Windows Client, and the 7965 and 9971 Video IP Phones. The Cisco VCS and TMS control the Cisco TelePresence Conductor, the Cisco TelePresence MCU, and the Cisco Jabber TelePresence for Windows. Use the exhibits to answer the following questions. DNS Servers

```

ip dns server
ip host _cisco-uds._tcp.hq.cisco.com srv 1 1 8443 10.1.5.15
ip host _cisco-uds._tcp.hq.cisco.com srv 1 1 8443 10.1.5.16
ip host pub10x-hq.collab10x.cisco.com 10.1.5.15
ip host sub10x-hq.collab10x.cisco.com 10.1.5.16
ip host pub10x-hq.hq.collab10x.cisco.com 10.1.5.15
ip host sub10x-hq.hq.collab10x.cisco.com 10.1.5.16
ip host hq.cisco.com 10.1.5.1

```

Device Pool

Status

3 records found

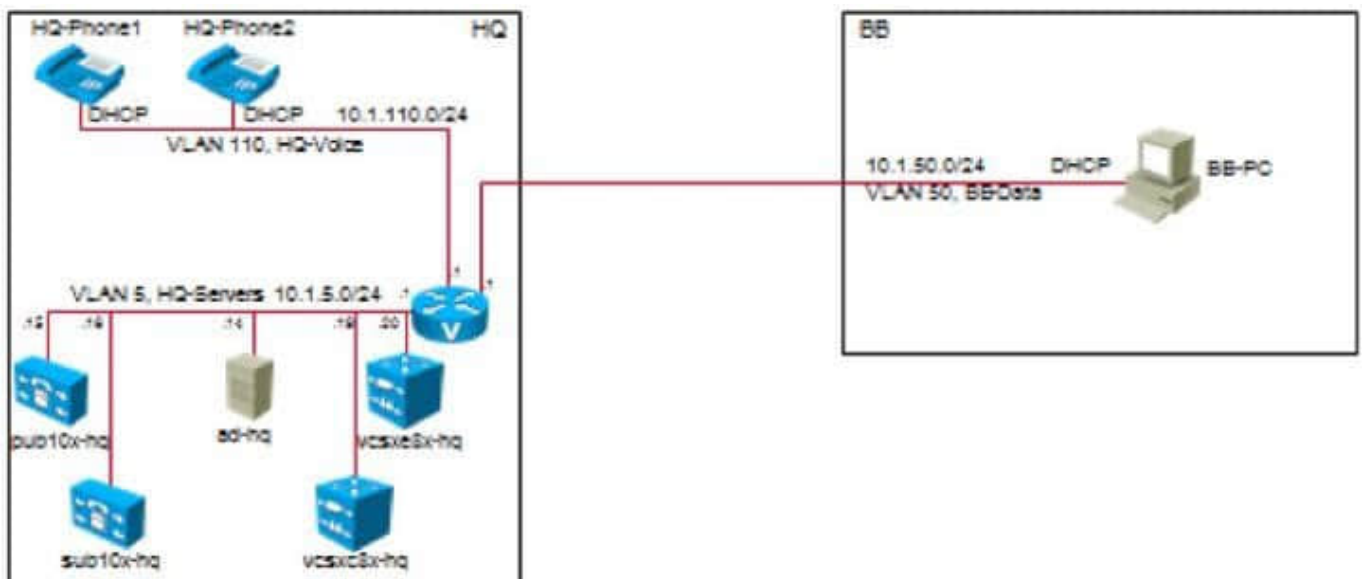
Device Pool (1 - 3 of 3)

Find Device Pool where Device Pool Name begins with Find Clear Filter

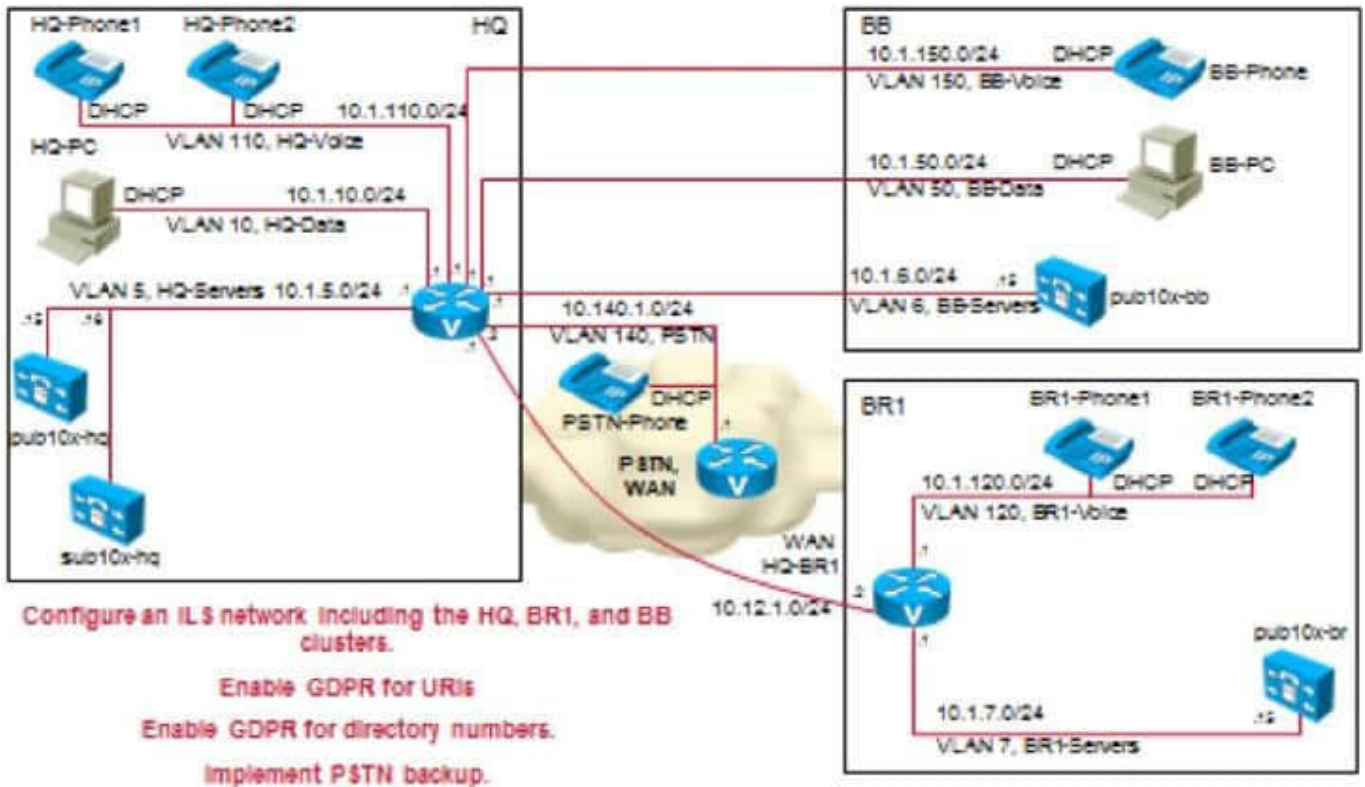
Name	Cisco Unified CM Group	Region	Date/Ti
Default	Default	Default	CMLocal
Default	Default	Default	CMLocal
GSM	Default	GSM	CMLocal

Add New Select All Clear All Delete Selected

Expressway



ILS



Locations

Locations (1 - 3 of 3)

Find Locations where Location begins with Find Clear Filter + -

<input type="checkbox"/>	Location ^
<input type="checkbox"/>	Hub_None
<input type="checkbox"/>	Phantom
<input type="checkbox"/>	Shadow

Add New Select All Clear All Delete Selected

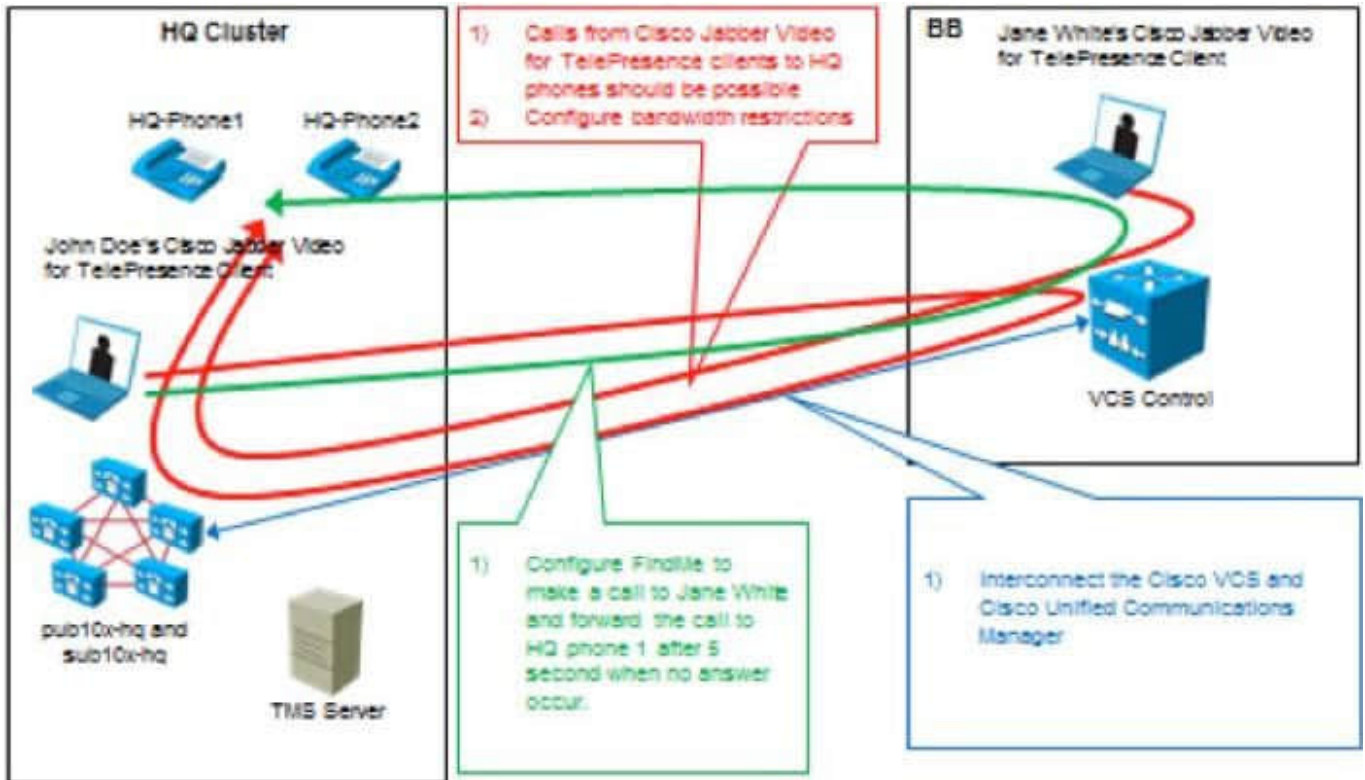
MRA

```
ip host _collab-edge._tls.hq.cisco.com SRV 1 1 8443 vcsxe8x-
hq.hq.collab10x.cisco.com
ip host vcsxe8x-hq.hq.collab10x.cisco.com 10.1.5.20
```

Speed Dial

Phone	Speed Dial Button	Speed Dial Destination
HQ phone 1	1	hq2@cisco.lab
HQ phone 1	2	br1@cisco.lab
HQ phone 1	3	bb@cisco.lab
HQ phone 2	1	hq1@cisco.lab
HQ phone 2	2	br1@cisco.lab
HQ phone 2	3	bb@cisco.lab
BR1 phone 1	1	hq1@cisco.lab
BR1 phone 1	2	hq2@cisco.lab
BR1 phone 1	3	bb@cisco.lab
BB phone	1	hq1@cisco.lab
BB phone	2	hq2@cisco.lab

SIP Trunk



The intercluster URI call routing no longer allows calls between sites. What is the reason why this would happen? (Choose two)

- A. Wrong SIP domain configured.
- B. User is not associated with the device.
- C. IP or DNS name resolution issue.
- D. No SIP route patterns for cisco.lab exist.

Correct Answer: CD

QUESTION 20

You want to configure Cisco VCS SIP endpoints and H.323 endpoints so that they communicate with one another. To do this, which format must you use in the Search Rule?

- A. name@domain
- B. IP Address (192.168.100.0)
- C. name@hostname
- D. name@IP Address (192.168.100.0)

Correct Answer: A

QUESTION 21

Which two statements about remote survivability are true? (Choose two.)

- A. SRST supports more Cisco IP Phones than Cisco Unified Communications Manager Express in SRST mode.
- B. Cisco Unified Communications Manager Express in SRST mode supports more Cisco IP Phones than SRST.
- C. MGCP fallback is required for ISDN call preservation.
- D. MGCP fallback functions with SRST.

Correct Answer: AD

QUESTION 22

Which component is needed to set up SAF CCD?

- A. SAF-enabled H.323 intercluster (gatekeeper controlled) trunk
- B. SAF forwarders on Cisco routers
- C. Cisco Unified Communications cluster
- D. SAF-enabled H.225 trunk

Correct Answer: B

QUESTION 23

After forgetting to log out of his IP phone in the main office, an Extension Mobility user is unable to log in to a different IP phone at a remote office. Which option is a possible reason for the problem?

- A. The phone at the remote location is a different model than the phone in the user's main office.
- B. The user's Extension Mobility profile is misconfigured.
- C. The user can log in to only one device at a time.
- D. The device pool is misconfigured.

Correct Answer: C

QUESTION 24

Which option is a benefit of implementing CFUR?

- A. CFUR is designed to initiate TEHO to reduce toll charges.
- B. CFUR can prevent phones from unregistering.
- C. CFUR can reroute calls placed to a temporarily unregistered destination phone.
- D. CFUR eliminates the need for COR on an ISR.

Correct Answer: C

QUESTION 25

Company X has a primary and a backup Cisco Unified Communications Manager instance. The administrator had to do maintenance on the primary node and did a shutdown, which resulted in a failover to the backup node. What happens

when the primary node comes back online?

- A. The primary node becomes the backup node.
- B. Endpoints detect that the primary is back and reregisters automatically.
- C. The backup node must be shut down first to allow the endpoints to realize that the primary node is online again.
- D. Nothing, the endpoints only failover when the node they lose connection to their registered node.

Correct Answer: B

QUESTION 26

In a distributed call processing network with locations-based CAC, calls are routed to and from intercluster trunks. Which trunk type is implemented in this network?

- A. intercluster trunk with gatekeeper control
- B. intercluster trunk without gatekeeper control
- C. SIP trunk
- D. h225 trunk

Correct Answer: B

QUESTION 27

Which three devices support the SAF Call Control Discovery protocol? (Choose three.)

- A. Cisco Unified Border Element
- B. Cisco Unity Connection
- C. Cisco IOS Gatekeeper
- D. Cisco Catalyst Switch
- E. Cisco IOS Gateway
- F. Cisco Unified Communications Manager

Correct Answer: AEF

QUESTION 28

In the case of a VCS cluster, which configuration element is recommended for endpoint H.323 registration?

- A. DNS SRV records pointing to the VCS cluster name
- B. static IP addresses
- C. hostname of the VCS cluster configuration master
- D. hostname of the VCS cluster member peer

Correct Answer: A

QUESTION 29

Which code snippet is required for SAF to be initialized?

- A. Service Family
- B. External-Client
- C. router eigrp
- D. topology base

Correct Answer: C

QUESTION 30

Company X wants to implement RSVP-based Call Admission Control and move away from the current location-based configuration. Where does the administrator go to create a default profile?

- A. System andgt; Call Manager andgt; Clusterwide andgt; Service Parameters andgt; RSVP
- B. System andgt; Service Parameters andgt; RSVP
- C. System andgt; Service Parameters andgt; Call Manager andgt; Clusterwide parameters andgt; RSVP
- D. on each MGCP gateway at all remote locations

Correct Answer: C